



### SPRAY CHARACTERISTICS

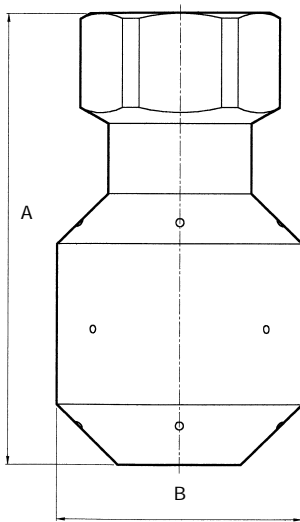
- Produces a solid cone type spray pattern from a multiple orifice body.
- Relatively uniform distribution at all pressures, 360° coverage.
- Atomisation is finer than with a single nozzle of the same capacity.
- Available in a range of flow capacities and thread sizes.

### CONSTRUCTION AND MATERIALS

- The cluster body is fitted with 13 flush mounted nozzles that are not removable.
- The 1/2" and 3/4" sizes are ideal to fit through keg bung holes for internal washing.
- Useful in the food industry due to lack of sharp corners or threads where foreign matter may collect.
- Manufactured in 316 Stainless Steel as standard.
- Other materials available to special order.
- 1/2" and 3/4" are available in Male BSPT or Female BSPP threads. 1" and 1 1/2" are available in Female BSPP only.

### ORDER EXAMPLE

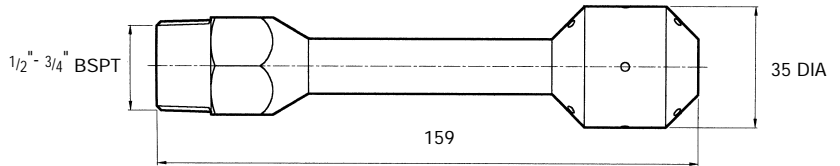
1" CLFD 13-300, Stainless Steel.



1"-1 1/2" CLFD 13

### DIMENSIONS

Thread Size	Dimensions (mm)	
	A	B Dia
1"	105	57,2
1 1/2"	143	76,2

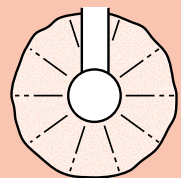


1/2" - 3/4" CLFD 13

Maximum Recommended Pressure: 7 Bar.G.

### CAPACITY CHART

ASSEMBLY NUMBER	BSPT THREAD SIZE				FLOW RATE IN LITRES/MIN AT Bar.G.							
	1/2"	3/4"	1"	1 1/2"	0,7	1,0	2,0	3,0	4,0	5,0	6,0	7,0
CLFD13 - 75					-	17,1	24,8	29,6	34,2	38,2	41,9	45,3
CLFD13 - 90					17,0	20,3	28,7	35,2	40,6	45,4	49,7	52,9
CLFD13 - 165					31,2	37,2	52,7	64,5	74,5	83,3	91,2	96,9
CLFD13 - 240					47,2	54,2	76,6	93,8	108,3	121,0	132,6	140,9
CLFD13 - 300					57,2	68,4	97,8	118,5	136,8	153,0	167,6	181,0
CLFD13 - 400					76,3	91,2	129,0	158,0	182,5	204,0	223,5	241,4
CLFD13 - 500					94,5	114,0	161,3	197,5	228,0	255,0	279,3	301,7
CLFD13 - 600					114,5	136,8	193,5	237,0	273,7	306,0	335,0	362,0
CLFD13 - 700					132,0	158,0	223,3	273,5	315,7	353,0	386,6	411,0



Contact our Helpline for any special requirements:  
Tel: +44 (0) 151 424 6821  
Fax: +44 (0) 151 495 1043  
e-mail: sales@delavan.co.uk  
Web: www.delavan.co.uk