

### SPRAY CHARACTERISTICS

- Good turn down ratios.
- Nominal 30° spray angle.
- Produces plume of finely atomised particles.
- Ideal for slurry atomisation.
- More wear resistant than other internal mix nozzles.
- Large internal passages reduce clogging.

### CONSTRUCTION AND MATERIALS

- Three piece construction: Nozzle Body, Distributor and Cap.
- Right angle version has atomising air enter from the side of nozzle, and liquid from the back.
- In-line version allows for the nozzle to be placed on a lance for simple plumbing. The length of the lance can vary by providing two concentric pipes and couplings. A Swirl-Air adaptor could also be used.
- 316L Stainless Steel is standard.
- Other materials available to special order.

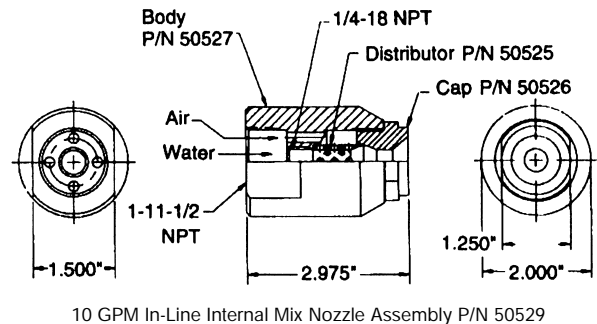
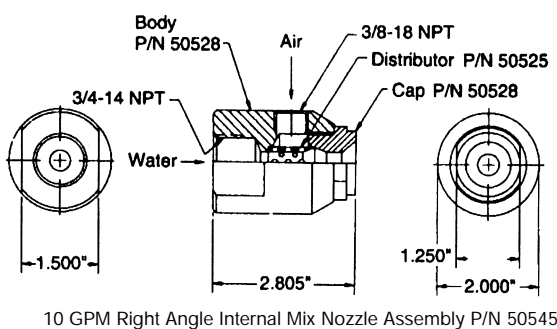
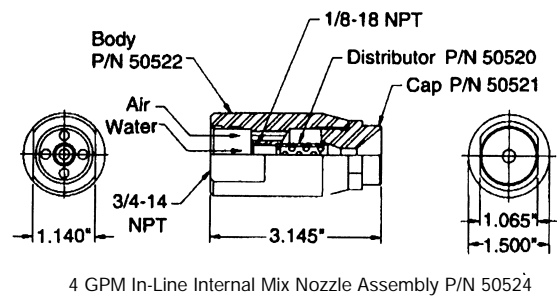
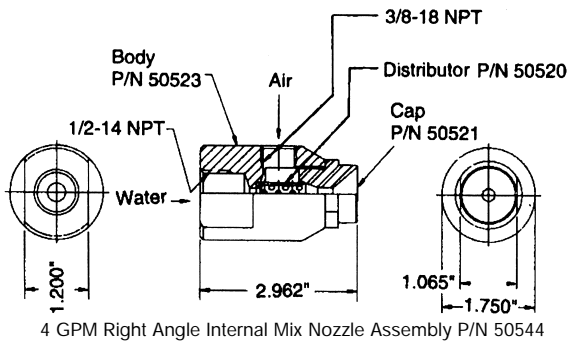
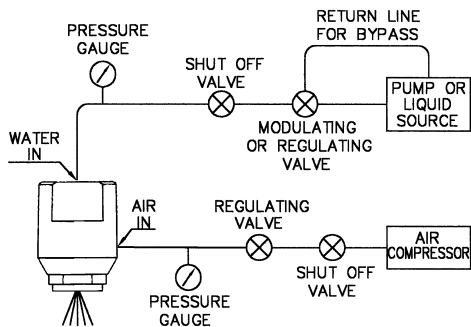
### ORDER EXAMPLE

P/N 50544-4 GPM Right Angle Internal Mix Nozzle.

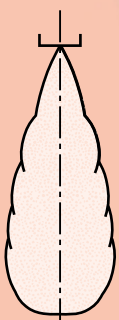
Maximum Recommended Pressure: 200 Psig (14 Bar.G.).  
Maximum Recommended Temperature: 1000°F (540°C).

### TYPICAL INSTALLATION

Install nozzle as shown in schematic drawing. Make certain both pressure gauges are located as close to the nozzle as practical. Allow for pressure losses between gauges and nozzle when establishing settings. Shut off valves included for convenience, allowing nozzle removal without shutting down system.



Contact our Helpline for any special requirements:  
Tel: +44 (0) 151 424 6821  
Fax: +44 (0) 151 495 1043  
e-mail: sales@delavan.co.uk  
Web: www.delavan.co.uk



CAPACITY CHARTS

4 GPM	LIQUID FLOW		LIQUID PRESSURE (PSIG)							
	GPM	GPH	at these Air Pressures (PSIG)							
			30	40	50	60	70	80	90	100
Right Angle  P/N 50544	0,5	30	25	35	46	57	66	76	82	90
	1,0	60	28	39	49	60	69	79	85	94
	1,5	90	32	42	52	63	72	83	88	98
	2,0	120	34	44	54	65	74	85	92	103
	2,5	150	37	47	57	67	76,5	87	98	107
	3,0	180	40	49,5	60	69	80	90	100	110
	3,5	210	43	52,5	63	73	83	93	103	113
	4,0	240	46,5	57	67	77,5	87,5	97	107,5	117
4 GPM	LIQUID FLOW		AIR FLOW (SCFM)							
	GPM	GPH	at these Air Pressures (PSIG)							
			30	40	50	60	70	80	90	100
Right Angle  P/N 50544	0,5	30	10,5	13	15,5	18	21	23	27	30
	1,0	60	9,0	11	14	16	19	21	25	28
	1,5	90	6,0	8,5	12	14,5	18	18,5	23	25
	2,0	120	4,5	7,0	9,5	13,5	16,5	18	20	22
	2,5	150	3,5	5,0	7,0	10,0	11,5	14	16	19
	3,0	180	2,0	4,0	6,0	9,0	10,0	11,5	14	17
	3,5	210	1,5	3,0	5,0	6,5	8,0	9,5	11	13
	4,0	240	1,0	2,5	3,0	5,0	7,0	8,5	9,5	11

10 GPM	LIQUID FLOW		LIQUID PRESSURE (PSIG)							
	GPM	GPH	at these Air Pressures (PSIG)							
			30	40	50	60	70	80	90	100
Right Angle  P/N 50529	2	120	28	37	45	54	62	70	77	84
	3	180	30	39,5	47,5	57	65	73	80	88
	4	240	31,5	41	50	60	68	75	82	90
	5	300	34	43	52	63	71	78	85	93
	6	360	36	46	55	65	73	81	90	98
	7	420	39	49	58	68	77	85	93	101
	8	480	42	52	62	71	80	88	97	106
	9	540	46	55	65	75	85	94	104	113
	10	600	49	60	69	80	88	99	108	118
10 GPM	LIQUID FLOW		AIR FLOW (SCFM)							
	GPM	GPH	at these Air Pressures (PSIG)							
			30	40	50	60	70	80	90	100
Right Angle  P/N 50529	2	120	42,5	56	60	64	68	73	77	85
	3	180	35	46	56	61	65	69	74	82
	4	240	32	43	50	57	61	66	72	80
	5	300	27	33	45	54	57	63	70	78
	6	360	24	34	42	50	54	60	68	76
	7	420	22	32	39	47	51	58	66	73
	8	480	21	29	37	45	48	56	64	71
	9	540	20	27	34	43	46	54	61	68
	10	600	18	25	32	38	43	52	59	66

NOTE: The above capacity charts are all in US gallons liquid flow and SCFM air flow.

AIR ATOMISING

INTERNAL MIX

Contact our Helpline for any special requirements:  
Tel: +44 (0) 151 424 6821  
Fax: +44 (0) 151 495 1043  
e-mail: sales@delavan.co.uk  
Web: www.delavan.co.uk

